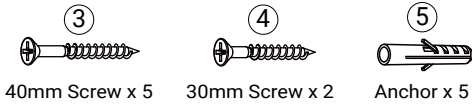
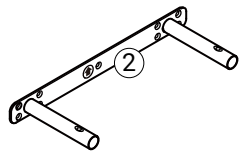
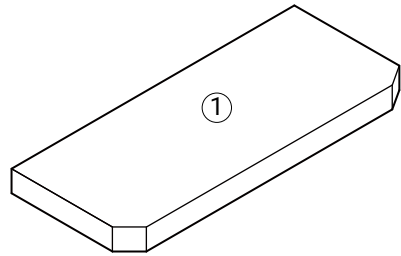
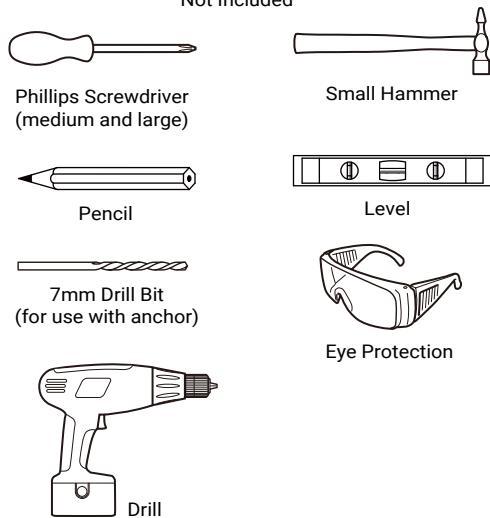


Included



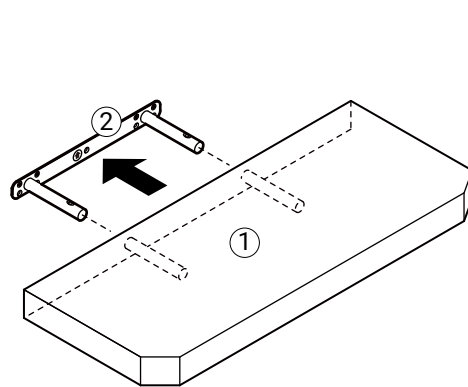
Tools Needed

Not Included

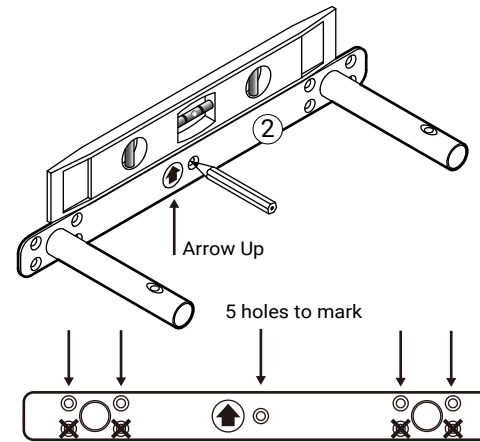


www.atheneehome.com

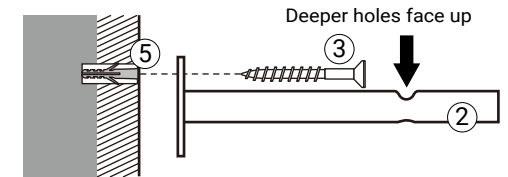
Thank you for choosing Athenee Home. Our beautiful home furnishings are versatile, durable, and made with quality materials. Each board is labeled with a sticker with easy-to-follow directions. For any questions, call 949 229 3304 or email us at talktous@atheneehome.com



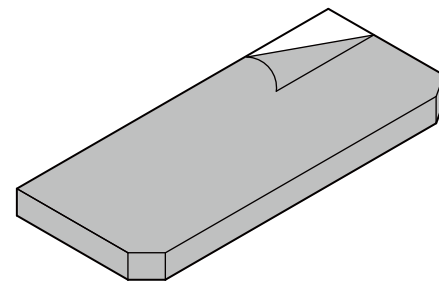
① Take out Bracket ② from the Shelf ①.



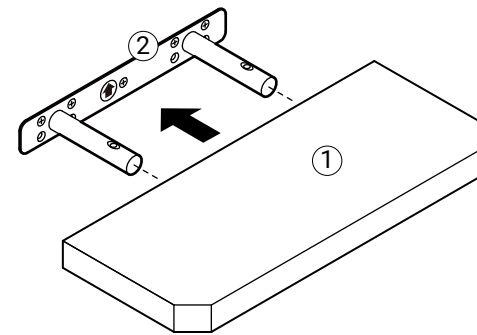
② Level Bracket ② on the desired wall location and check if it is horizontal to the wall. Mark 5 holes as shown on Bracket ②.



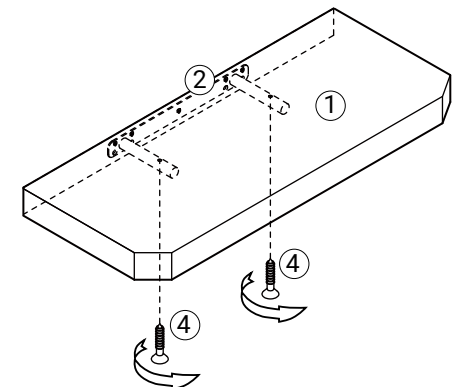
③ Drill holes in markings and insert anchor ⑤. Fasten Bracket ② with 40mm Screws ③ to wall.



④ Tear off the protective film from the shelf (only for high gloss shelf).



⑤ Carefully insert Shelf ① onto Bracket ②.



⑥ Secure Shelf ① to Bracket ② with 30mm screws ④.